

# VersaDome Series

**AUSTAR**  
Security

High Definition Indoor  
Vari-focal Dome

**New**  
**650TVL**

**High Definition**



## Introduction

Stunning image quality coupled with a long list of features, the VersaDome Series by Austar are versatile dome cameras suitable for a wide range of applications.

## Features

### Super High Resolution 650 TV Lines

Providing extremely sharp 650 TV Lines resolution with the latest Day&Night High Definition Camera 1/3" SONY SUPER HAD II 410K CCD, the VersaDome Series will deliver highly detailed images in all lighting conditions.

### Advanced Signal Processing

With state of the art digital signal processing, the VersaDome Series provide crystal clear images free of signal noise and distortion. Critical during the data compression process performed by digital video recorders or during video network transmission, a clear image will result in a picture with greater detail and a smaller file size.

### Impressive Low Light Performance

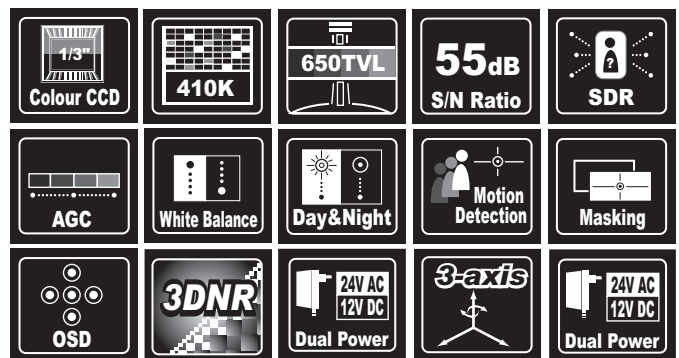
Even when operating in the darkest of environments, thanks to enhanced Dynamic Noise Reduction technology and integrated Sense Up imaging, the VersaDome Series performs down to 0.0001 Lux by providing detailed images.

### Vari-focal Auto-Iris Lens (CAM3573HD & CAM3575HD)

The high quality 2.8-12mm vari-focal lens features a DC driven auto-iris to ensure the VersaDome can handle a wide range of lighting contrasts.

### Video Test Connector

Easy to access video test connector makes positioning and focussing the VersaDome Series more convenient than ever.



### Motion Detection & Multi-Zone Camera Privacy Masking

Detect motion or mask out areas of the image for privacy reasons with four configurable zones.

### Back Light Compensation

Configurable exposure correction technology ensures the intended target objects are always in view.

### Super Dynamic Range

SDR Camera can work under all kinds of conditions, especially in back light environments. SDR provides clearer security surveillance, Natural Color Reproduction, excellent and unprecedented image-processing performance.

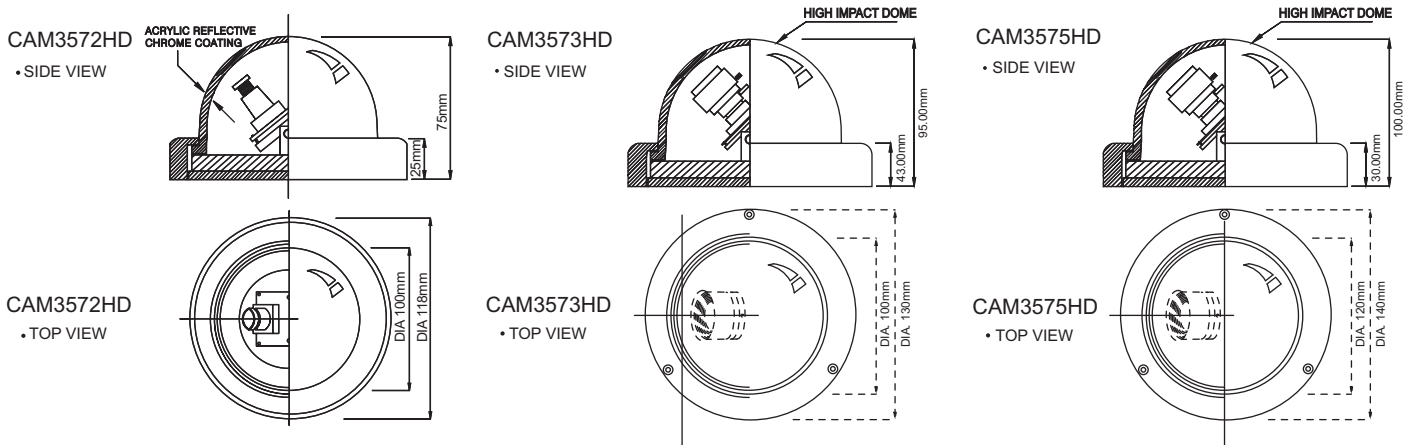
### 3D Noise Reduction (3DNR)

New powerful system to reduce noise in dark environments. Under low-light conditions, 3DNR provides clear images for both moving objects and still portions of the image.

### Dual Power DC12V & AC24V (CAM3575HD only)

Maximum compatibility with dual power support, the NightEye Series can utilise both DC and AC power as needed, making them easy to install at any location.

## Dimension



## Specifications

DESCRIPTION	CAM3572HD	CAM3573HD	CAM3575HD
Image Pick-Up Device	1/3" SONY SUPER HAD II ICX 638/639BK 410K CCD	1/3" SONY SUPER HAD II ICX 638/639BK 410K CCD	1/3" SONY SUPER HAD II ICX 638/639BK 410K CCD
TV System	PAL	PAL	PAL
Total Pixels	811(H) X 508(V)	811(H) X 508(V)	811(H) X 508(V)
Effective Pixels	768(H) X 494(V)	768(H) X 494(V)	768(H) X 494(V)
Scanning System	2 :1 Interlaced	2 :1 Interlaced	2 :1 Interlaced
Sync System	Internal (DC) / Line Lock (AC)	Internal (DC) / Line Lock (AC)	Internal (DC) / Line Lock (AC)
Resolution	650TV Lines	650TV Lines	650TV Lines
Minimum Illumination	0.05Lux (Color), 0.0001 Lux (Sens-up x512)	0.05Lux (Color), 0.0001 Lux (Sens-up x512)	0.05Lux (Color), 0.0001 Lux (Sens-up x512)
S/N Ratio	55 dB (AGC off, Weight on)	55 dB (AGC off, Weight on)	55 dB (AGC off, Weight on)
White Balance	ATW(1,800~10,500°K)/ COL-ROLL/ PUSH/ MANUAL	ATW(1,800~10,500°K)/ COL-ROLL/ PUSH/ MANUAL	ATW(1,800~10,500°K)/ COL-ROLL/ PUSH/ MANUAL
Gamma Characteristic	0.45	0.45	0.45
Video output	CVBS: 1.0Vp-p 75 ohm Composite	CVBS: 1.0Vp-p 75 ohm Composite	CVBS: 1.0Vp-p 75 ohm Composite
Electronic shutter Speed	OFF / A.FLK / 1/160 - 1/90,000, x512-x2 / AUTO	OFF / A.FLK / 1/160 - 1/90,000, x512-x2 / AUTO	OFF / A.FLK / 1/160 - 1/90,000, x512-x2 / AUTO
OSD	PAL: 5 languages	PAL: 5 languages	PAL: 5 languages
SDR	On / Off	On / Off	On / Off
Back Light Compensation	WDR / BLC / ECLPS / OFF	WDR / BLC / ECLPS / OFF	WDR / BLC / ECLPS / OFF
Gain Control	Off / Low / Middle / High	Off / Low / Middle / High	Off / Low / Middle / High
Day & Night	Day / Night / Exterior / Auto	Day / Night / Exterior / Auto	Day / Night / Exterior / Auto
3D Noise Filter (DNR)	Low / Middle / High Global Movement / Destination Off / On	Low / Middle / High Global Movement / Destination Off / On	Low / Middle / High Global Movement / Destination Off / On
Sens - Up	Auto / Off (Selectable x2~x512)	Auto / Off (Selectable x2~x512)	Auto / Off (Selectable x2~x512)
Motion Detection	On / Off (8 Programmable Zone)	On / Off (8 Programmable Zone)	On / Off (8 Programmable Zone)
Privacy Masking	On / Off (8 Programmable Zone)	On / Off (8 Programmable Zone)	On / Off (8 Programmable Zone)
Flip & Mirror & Rotate	On / Off	On / Off	On / Off
Sharpness	On / Off (Level Adjustable)	On / Off (Level Adjustable)	On / Off (Level Adjustable)
Digital Image Stabilization	Stabilizer On / Off	Stabilizer On / Off	Stabilizer On / Off
Digital Zoom	On / Off (x1.00 ~ x6.13)	On / Off (x1.00 ~ x6.13)	On / Off (x1.00 ~ x6.13)
Power Supply	DC12V	DC12V	DC12V / AC24V
Power Consumption	Max 2.0 W	Max 2.0 W	Max 2.0 W
Lens	Fixed 3.6mm	DC Auto Iris 2.8 ~ 12 mm	DC Auto Iris 2.8 ~ 12 mm
Operational Temperature	-10°C ~ +50°C / 30% ~ 80% RH	-10°C ~ +50°C / 30% ~ 80% RH	-10°C ~ +50°C / 30% ~ 80% RH
Storage Temperature	-20°C ~ +60°C / 20% ~ 90% RH	-20°C ~ +60°C / 20% ~ 90% RH	-20°C ~ +60°C / 20% ~ 90% RH
Weight	Appx.0.5Kg	Appx.0.5Kg	Appx.0.5Kg

## Distributed by:

**ACHIEVA**  
GROUP OF COMPANIES

<http://www.achieva.com.au>

### VIC Office

Unit 3, 585 Blackburn Road  
Notting Hill, Victoria 3168

Tel: (03) 9545 0399  
Fax: (03) 9561 9778

[vic@austarsecurity.com.au](mailto:vic@austarsecurity.com.au)

### NSW office

Unit 7 - 8, 5 Dunlop Street  
Strathfield South, NSW 2136

Tel: (02) 9742 5798  
Fax: (02) 9742 3188

[nsw@austarsecurity.com.au](mailto:nsw@austarsecurity.com.au)